

PIAWAI KLINIK KESIHATAN JENIS 3 KK3 CLARUS SISTEM KELENGKAPAN UNIT PERGIGIAN

BIL.	TAJUK LUKISAN	NO. LUKISAN
1.	TAJUK LUKISAN DAN NOMBOR LUKISAN	JKR / CKM / PAP / BM / kk3F / KP / 2020-1 / 0-6
2.	PELAN LANTAI TINGKAT ATAS	JKR / CKM / PAP / BM / kk3F / KP / 2020-1 / 1-6
3.	LUKISAN KERATAN 1-1 DAN KERATAN 2-2	JKR / CKM / PAP / BM / kk3F / KP / 2020-1 / 2-6
4.	LUKISAN SKEMATIK DAN PERINCIAN	JKR / CKM / PAP / BM / kk3F / KP / 2020-1 / 3-6
5.	LUKISAN PERINCIAN 'DENTAL WORKSTATION'	JKR / CKM / PAP / BM / kk3F / KP / 2020-1 / 4-6
6.	LIST OF EQUIPMENT	JKR / CKM / PAP / BM / kk3F / KP / 2020-1 / 5-6
7.	LUKISAN PERINCIAN PEMASANGAN	JKR / CKM / PAP / BM / kk3F / KP / 2020-1 / 6-6

NOTA PENENTUAN

THIS IS TENDER DRAWING AND SHALL NOT BE TAKEN AS WORKING DRAWING

TECHNICAL REQUIREMENT
(UNDER FLOOR SERVICES UP TO JUNCTION BOX)

1. WATER SUPPLY FROM STORAGE TANK VIA BOOSTER PUMP AT SERVICE FLOOR TO DENTAL CHAIR UNITS
50mm ϕ Stainless Steel pipe, pressure 2.5-6 bar
(By main contractor)
2. COMPRESSED AIR
12mm ϕ Hard Drawn Copper pipe,
(BS EN 13348 : 2001), 50 litre/min. @ 5.5 Bar
at each outlets. (By dental chair contractor)
3. SUCTION
28mm ϕ Hard Draw Copper pipe,
(BS EN 13348 : 2001), 300 litre/min. @ 600mmHg.
(By dental chair contractor)
4. WATER DRAIN
80mm ϕ , preferably through slab.
(By main contractor)
5. ELECTRICAL SUPPLY
240 volts, 50 Hz, 13 amps with isolating
switch on wall (By electrical contractor)
6. The location of the specialist dental unit/s
shall be advised later. (where applicable)
7. The centre point of installation of dental chair
units shall be coordinated with architectural drawing



KERAJAAN MALAYSIA



JASA KEPADA RAKYAT

PEJABAT PENGARAH KANAN
IBU PEJABAT JKR MALAYSIA
CAWANGAN KEJURUTERAAN MEKANIKAL
TINGKAT 24-26, BLOK G,
NO. 6, JALAN SULTAN SALAHUDDIN,
50480 KUALA LUMPUR.

CAWANGAN KEJURUTERAAN MEKANIKAL

DISAHKAN

PENGARAH REKABENTUK CAWANGAN KEJURUTERAAN MEKANIKAL
Ir. MAMAT ROHIZAN BIN ABDULLAH
P.Eng, M.I.E.M., A.C.P.E.

JURUTERA MEKANIKAL PENGUASA KANAN
Ir. AHMAD APANDI BIN LAKIN
P.Eng, M.I.E.M.

JURUTERA MEKANIKAL PENGUASA
Ir. HISHAM BIN MOKHTAR
P.Eng, A.C.P.E.

PROJEK:

PIAWAI
KLINIK KESIHATAN JENIS 3
KK3 CLARUS

PERKARA:

SISTEM KELENGKAPAN
UNIT PERGIGIAN

TAJUK LUKISAN DAN
NOMBOR LUKISAN

DISEMAK:
Ir. HISHAM BIN MOKHTAR

DIREKABENTUK:
Ir. MOHD SAIFUL HAKIMI BIN MAT LWI

SKALA:
1 : 100

TARIKH:
MEI 2020

DILUKIS:
ABDUL MUNIR

FAIL KOMPUTER:
JKR (CKM) 010-1/207

BIL. LUKISAN:
JKR / CKM / PAP / BM / kk3F / KP / 2020-1 / 0-6

NOTA PENENTUAN

THIS IS TENDER DRAWING AND SHALL NOT BE TAKEN AS WORKING DRAWING

TECHNICAL REQUIREMENT
(UNDER FLOOR SERVICES UP TO JUNCTION BOX)

1. WATER SUPPLY FROM STORAGE TANK VIA BOOSTER PUMP AT SERVICE FLOOR TO DENTAL CHAIR UNITS
50mm ϕ Stainless Steel pipe, pressure 2.5-6 bar
(By main contractor)
2. COMPRESSED AIR
12mm ϕ Hard Drawn Copper pipe,
(BS EN 13348 : 2001), 50 litre/min. @ 5.5 Bar
at each outlets. (By dental chair contractor)
3. SUCTION
28mm ϕ Hard Draw Copper pipe,
(BS EN 13348 : 2001), 300 litre/min. @ 600mmHg.
(By dental chair contractor)
4. WATER DRAIN
80mm ϕ , preferably through slab.
(By main contractor)
5. ELECTRICAL SUPPLY
240 volts, 50 Hz, 13 amps with isolating
switch on wall (By electrical contractor)
6. The location of the specialist dental unit/s
shall be advised later. (where applicable)
7. The centre point of installation of dental chair
units shall be coordinated with architectural drawing



KERAJAAN MALAYSIA



JASA KEPADA RAKYAT

PEJABAT PENGARAH KANAN
IBU PEJABAT JKR MALAYSIA
CAWANGAN KEJURUTERAAN MEKANIKAL
TINGKAT 24-28, BLOK G,
NO.8, JALAN SULTAN SALAHUDDIN,
50480 KUALA LUMPUR.

CAWANGAN KEJURUTERAAN MEKANIKAL

DISAHKAN

PENGARAH REKABENTUK CAWANGAN KEJURUTERAAN MEKANIKAL
Ir. MAMAT ROHIZAN BIN ABDULLAH
P.Eng. M.I.E.M. A.C.P.E.
JURUTERA MEKANIKAL, PENGUASA KANAN
Ir. AHMAD APANDI BIN LAKIN
P.Eng. M.I.E.M.
JURUTERA MEKANIKAL, PENGUASA
Ir. HISHAM BIN MOKHTAR
P.Eng. A.C.P.E.

PRJJEK:

PIAWAI
KLINIK KESIHATAN JENIS 3
KK3 CLARUS

PERKARA:

SISTEM KELENGKAPAN
UNIT PERGIGIAN

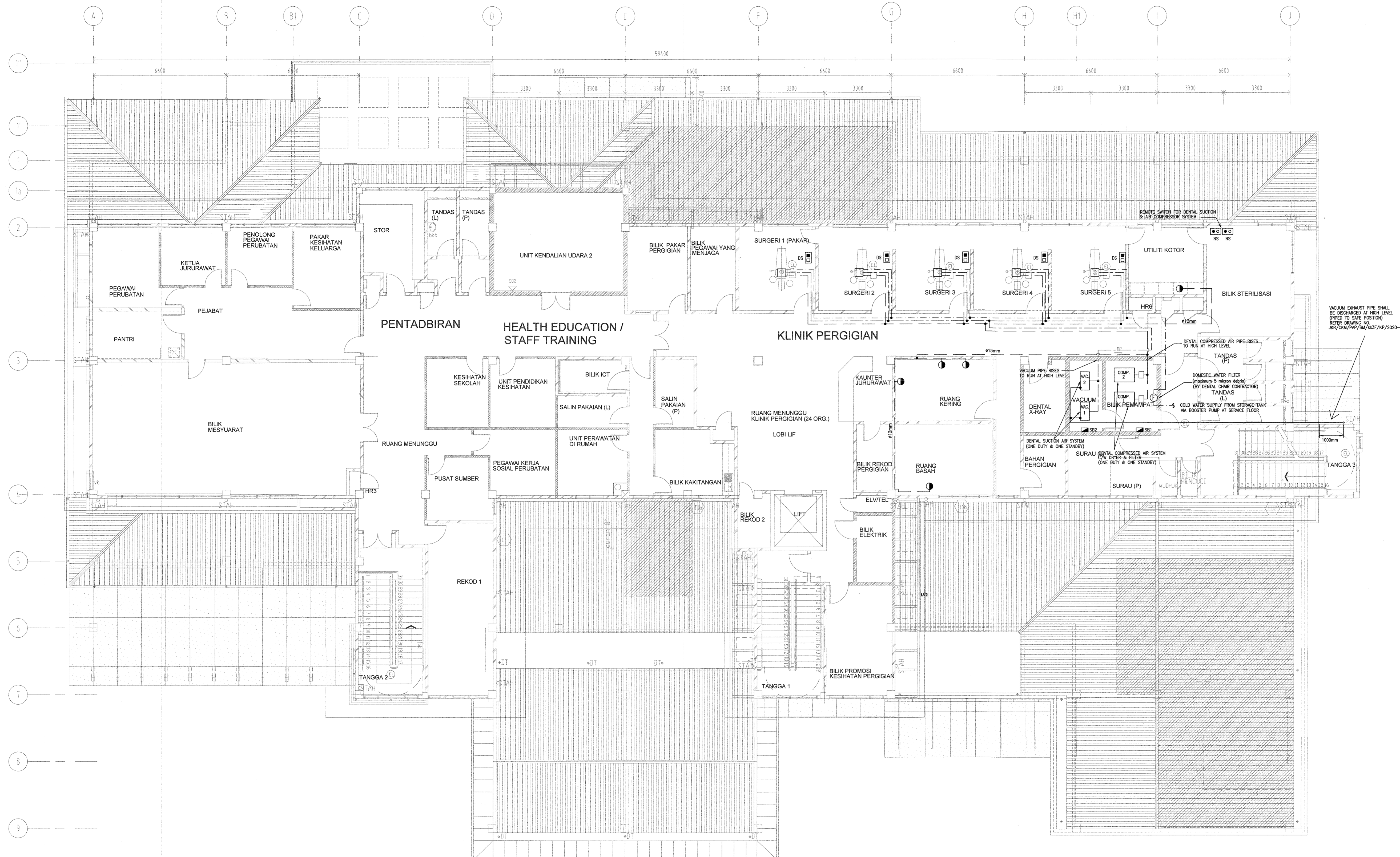
PELAN LANTAI
TINGKAT ATAS

DISEMAK:
Ir. HISHAM BIN MOKHTAR

DIREKABENTUK:
Ir. MOHD SAIFUL HAKIMI BIN MAT LWI

SKALA: 1 : 100
TARIKH: MEI 2020
TDLRIS: ABDUL MUNIR
FAIL KOMPUTER: JKR (CKM) 010-1/207

BIL LURISAN:
JKR / CKM / PAP / BM / KK3F / KP / 2020-1 / 1-6



NOTA PENENTUAN

THIS IS TENDER DRAWING AND SHALL NOT BE TAKEN AS WORKING DRAWING

TECHNICAL REQUIREMENT
(UNDER FLOOR SERVICES UP TO JUNCTION BOX)

1. WATER SUPPLY FROM STORAGE TANK VIA BOOSTER PUMP AT SERVICE FLOOR TO DENTAL CHAIR UNITS
50mm \varnothing Stainless Steel pipe, pressure 2.5-6 bar
(By main contractor)
2. COMPRESSED AIR
12mm \varnothing Hard Drawn Copper pipe,
(BS EN 13348 : 2001), 50 litre/min. @ 5.5 Bar
at each outlets. (By dental chair contractor)
3. SUCTION
28mm \varnothing Hard Draw Copper pipe,
(BS EN 13348 : 2001), 300 litre/min. @ 600mmHg.
(By dental chair contractor)
4. WATER DRAIN
80mm \varnothing , preferably through slab.
(By main contractor)
5. ELECTRICAL SUPPLY
240 volts, 50 Hz, 13 amps with isolating
switch on wall (By electrical contractor)
6. The location of the specialist dental unit/s
shall be advised later. (where applicable)
7. The centre point of installation of dental chair
units shall be coordinated with architectural drawing



KERAJAAN MALAYSIA



JASA KEPADA RAKYAT

PEJABAT PENGARAH KANAN
IBU PEJABAT JKR MALAYSIA
CAWANGAN KEJURUTERAAN MEKANIKAL
TINGKAT 24-26, BLOK G,
NO. 6, JALAN SULTAN SALAHUDDIN,
50480 KUALA LUMPUR.

CAWANGAN KEJURUTERAAN MEKANIKAL

DISAHKAN

PENGARAH REKABENTUK CAWANGAN KEJURUTERAAN MEKANIKAL
Ir. MAMAT ROHIZAN BIN ABDULLAH
P.Eng. M.I.E.M.

JURUTERA MEKANIKAL PENGUASA KANAN
Ir. AHMAD APANDI BIN LAKIN
P.Eng. M.I.E.M.

JURUTERA MEKANIKAL PENGUASA
Ir. HISHAM BIN MOKHTAR
P.Eng. A.C.P.E.

PROJEK:

PIAWAI
KLINIK KESEHATAN JENIS 3
KK3 CLARUS

PERKARA:

SISTEM KELENGKAPAN
UNIT PERGIGIAN

LUKISAN KERATAN 1-1 DAN
KERATAN 2-2

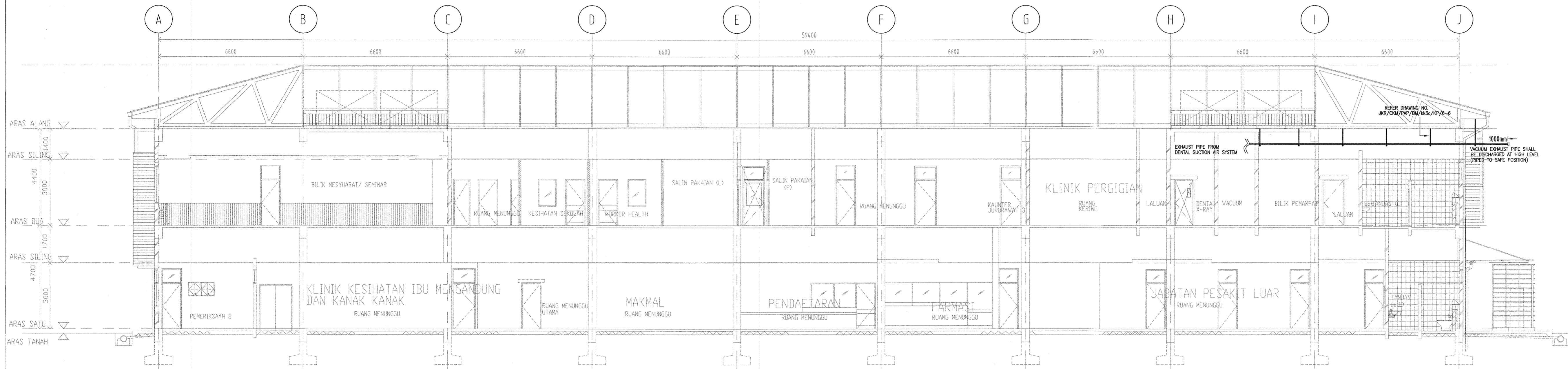
DISEMAK:
Ir. HISHAM BIN MOKHTAR

DIREKABENTUK:
Ir. MOHD SAIFUL HAKIMI BIN MAT LWI

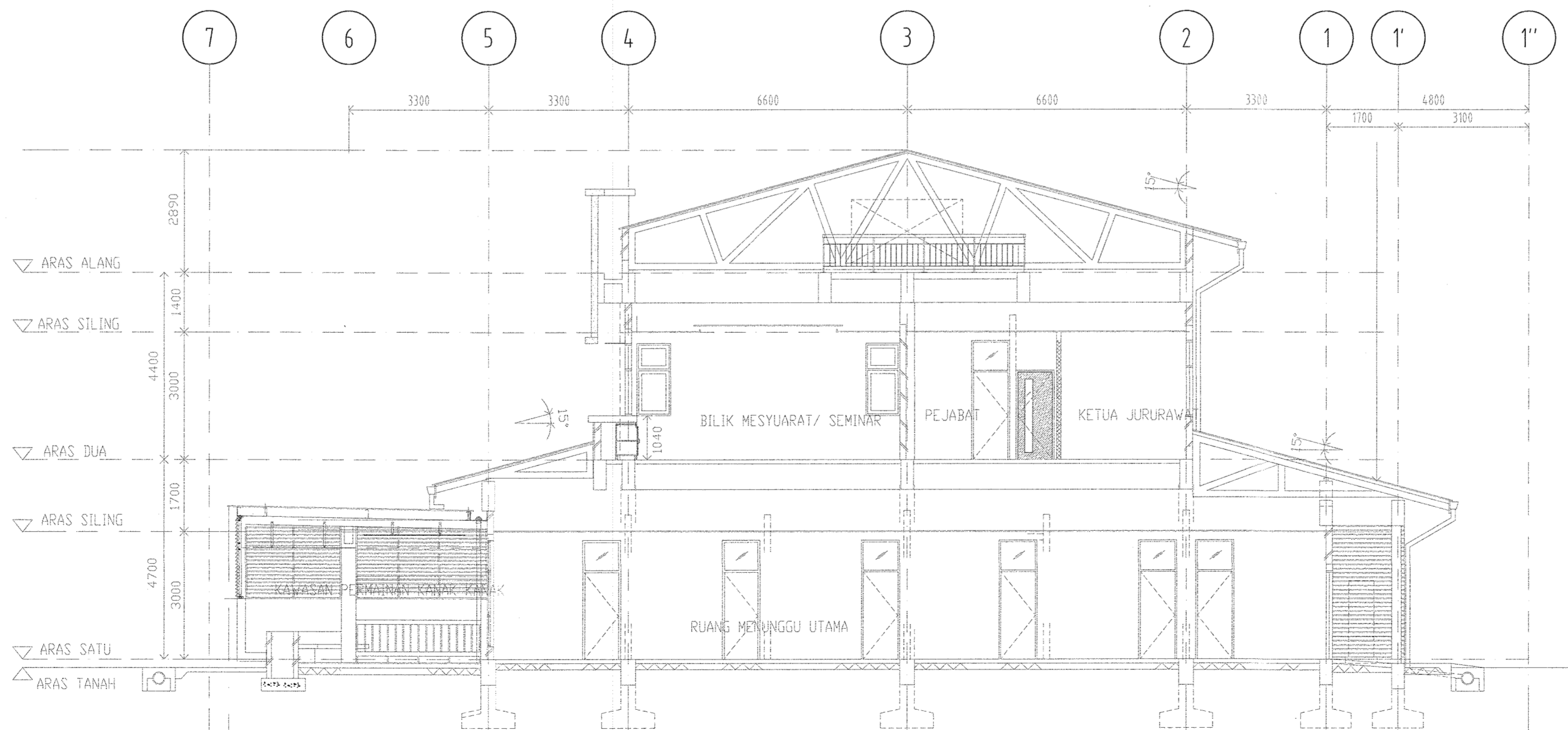
SKALA: 1:100
TARIKH: MEI 2020

TOLAKS: ABDUL MUNIR
FAIL KOMPUTER: JKR (CKM) 010-1/207

BILURIKSIAN:
JKR / CKM / PAP / BM / kk3F / KP / 2020-1 / 2-6



KERATAN 1-1

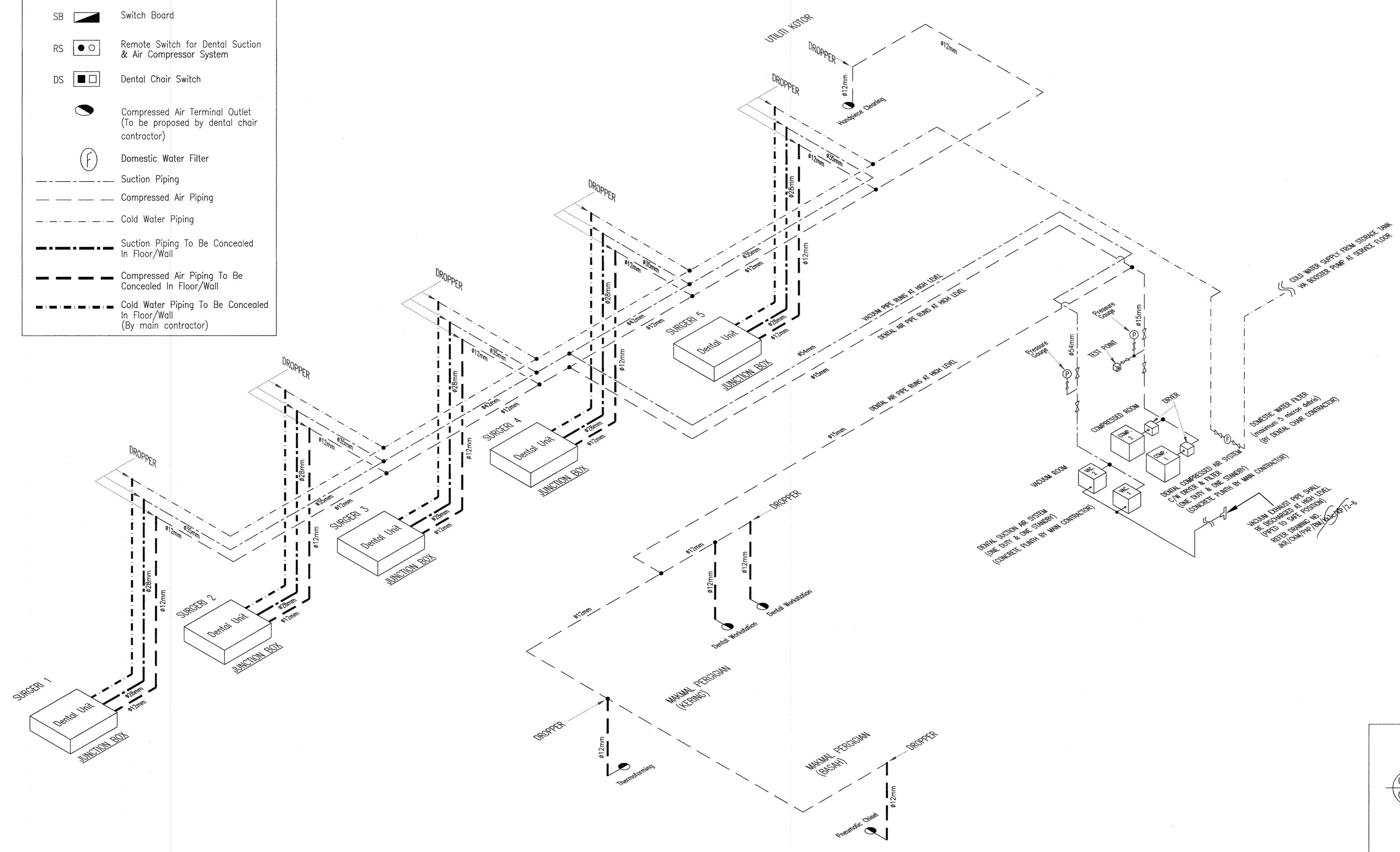


KERATAN 2-2

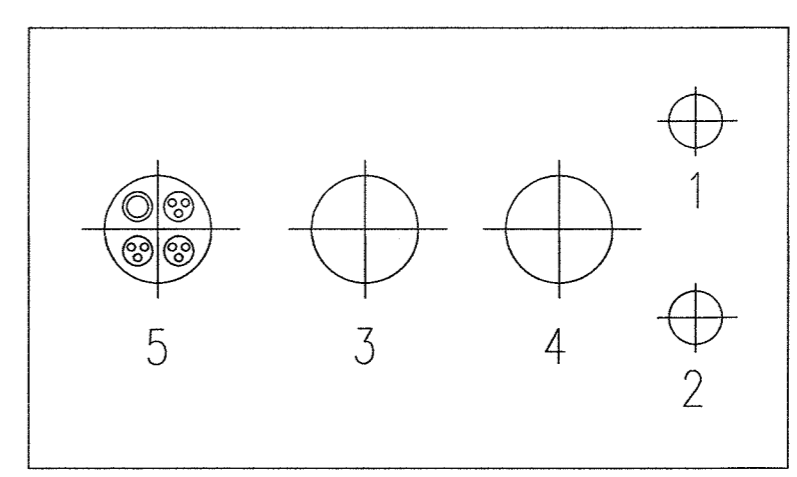
LUKISAN TENDER

LEGEND :

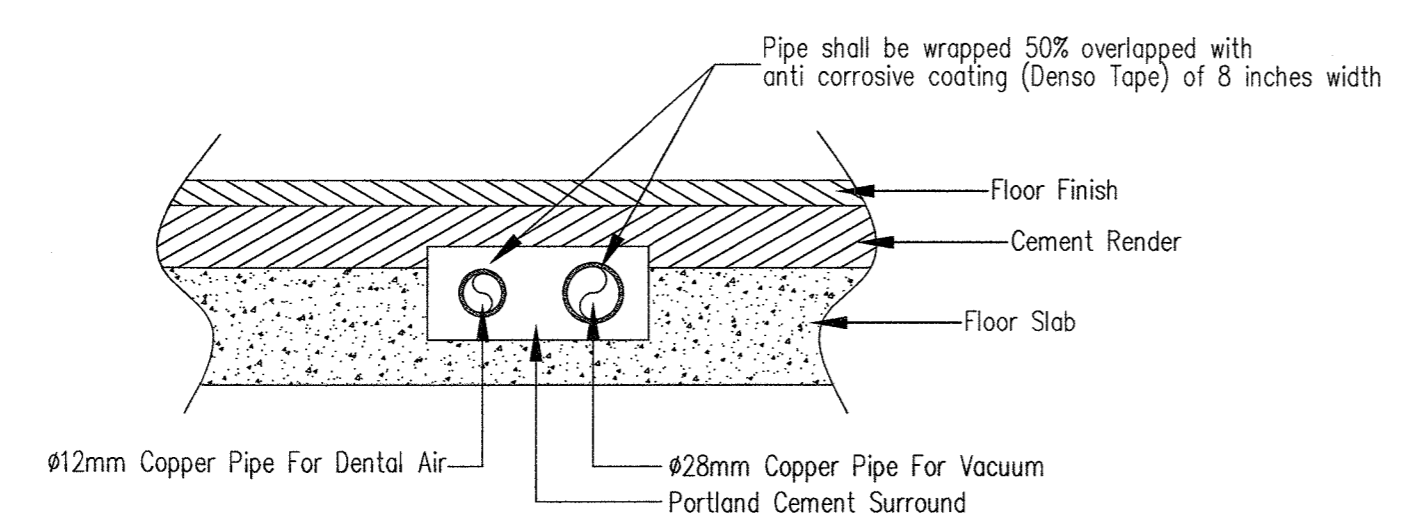
SB		Switch Board
RS		Remote Switch for Dental Suction & Air Compressor System
DS		Dental Chair Switch
		Compressed Air Terminal Outlet (To be proposed by dental chair contractor)
		Domestic Water Filter
		Suction Piping
		Compressed Air Piping
		Cold Water Piping
		Suction Piping To Be Concealed In Floor/Wall
		Compressed Air Piping To Be Concealed In Floor/Wall (By main contractor)
		Cold Water Piping To Be Concealed In Floor/Wall (By main contractor)



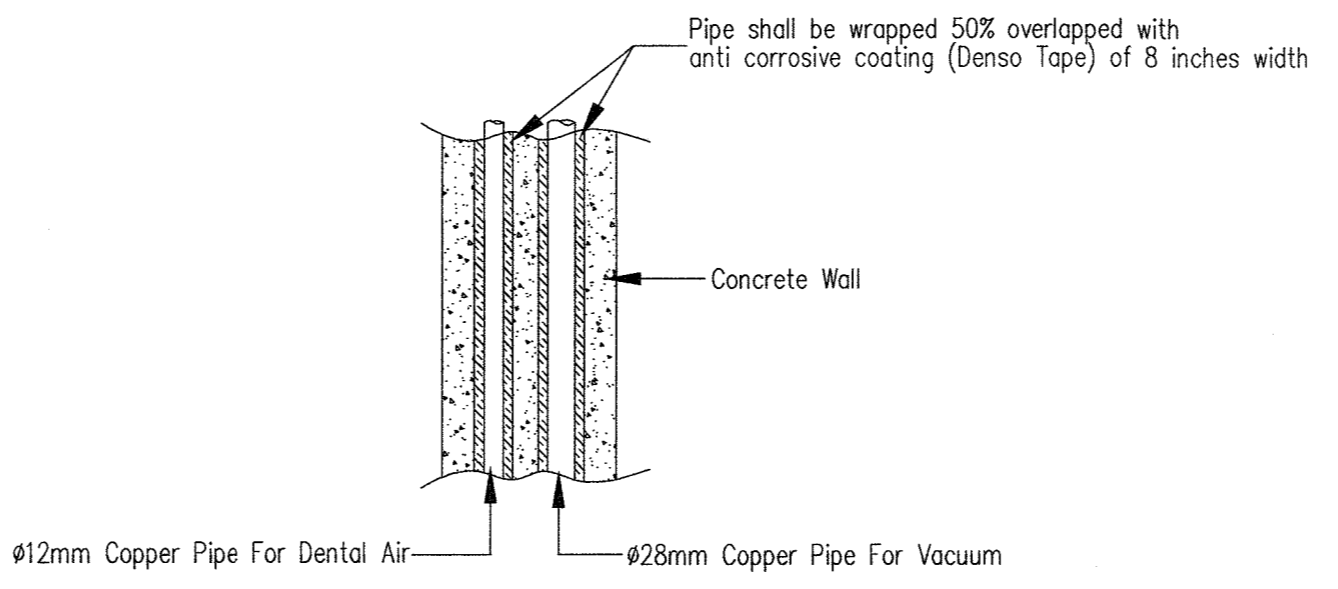
SCHEMATIC DRAWING OF DENTAL PIPE SYSTEM (N.T.S)



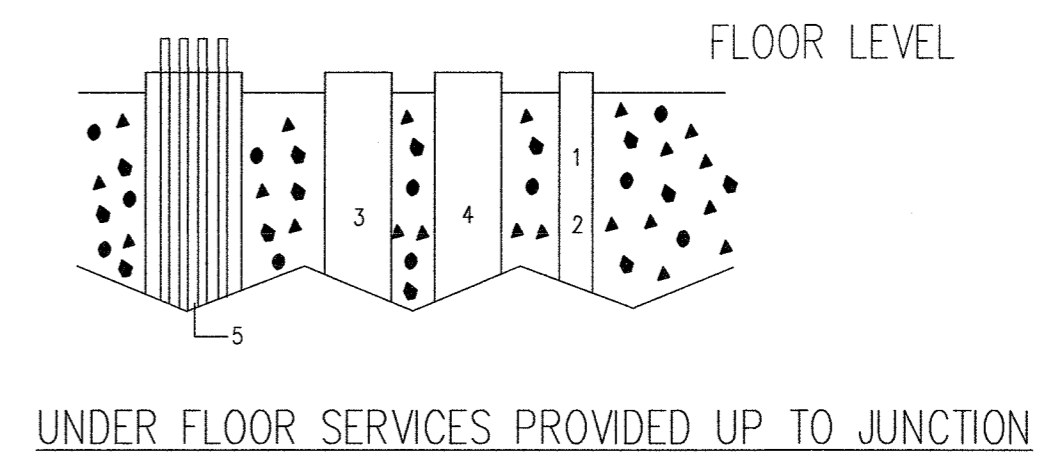
TYPICAL PLAN VIEW OF JUNCTION BOX



DETAIL FOR CONCEALED COPPER PIPE IN CONCRETE FLOOR



DETAIL FOR CONCEALED COPPER PIPE IN CONCRETE WALL

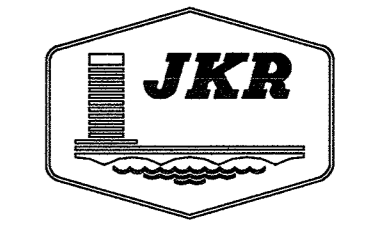


NOTA PENENTUAN

- THIS IS TENDER DRAWING AND SHALL NOT BE TAKEN AS WORKING DRAWING
- TECHNICAL REQUIREMENT**
(UNDER FLOOR SERVICES UP TO JUNCTION BOX)
1. WATER SUPPLY FROM STORAGE TANK VIA BOOSTER PUMP AT SERVICE FLOOR TO DENTAL CHAIR UNITS 50mmØ Stainless Steel pipe, pressure 2.5-6 bar (By main contractor)
 2. COMPRESSED AIR
12mmØ Hard Drawn Copper pipe, (BS EN 13348 : 2001), 50 litre/min. @ 5.5 Bar at each outlets. (By dental chair contractor)
 3. SUCTION
28mmØ Hard Draw Copper pipe, (BS EN 13348 : 2001), 300 litre/min. @ 600mmHg. (By dental chair contractor)
 4. WATER DRAIN
80mmØ, preferably through slab. (By main contractor)
 5. ELECTRICAL SUPPLY
240 volts, 50 Hz, 13 amps with isolating switch on wall (By electrical contractor)
 6. The location of the specialist dental unit/s shall be advised later. (where applicable)
 7. The centre point of installation of dental chair units shall be coordinated with architectural drawing



KERAJAAN MALAYSIA



JASA KEPADA RAKYAT
PEJABAT PEGHAWAR KANAN
IBU PEJABAT JKR MALAYSIA
CAWANGAN KEJURUTERAAN MEKANIKAL
TINGKAT 24-26, BLOK G,
NO.6, JALAN SULTAN SALAHUDDIN,
50480 KUALA LUMPUR.

CAWANGAN KEJURUTERAAN MEKANIKAL

DISAHKAN

PENGARAH REKABENTUK CAWANGAN KEJURUTERAAN MEKANIKAL
Ir. MAMAT ROHIZAN BIN ABDULLAH
P.Eng. M.I.E.M. A.C.P.E.
JURUTERA MEKANIKAL PENGAUSA KANAN
Ir. AHMAD APANDI BIN LAKIN
P.Eng. M.I.E.M.
JURUTERA MEKANIKAL PENGAUSA
Ir. HISHAM BIN MOKHTAR
P.Eng. A.C.P.E.

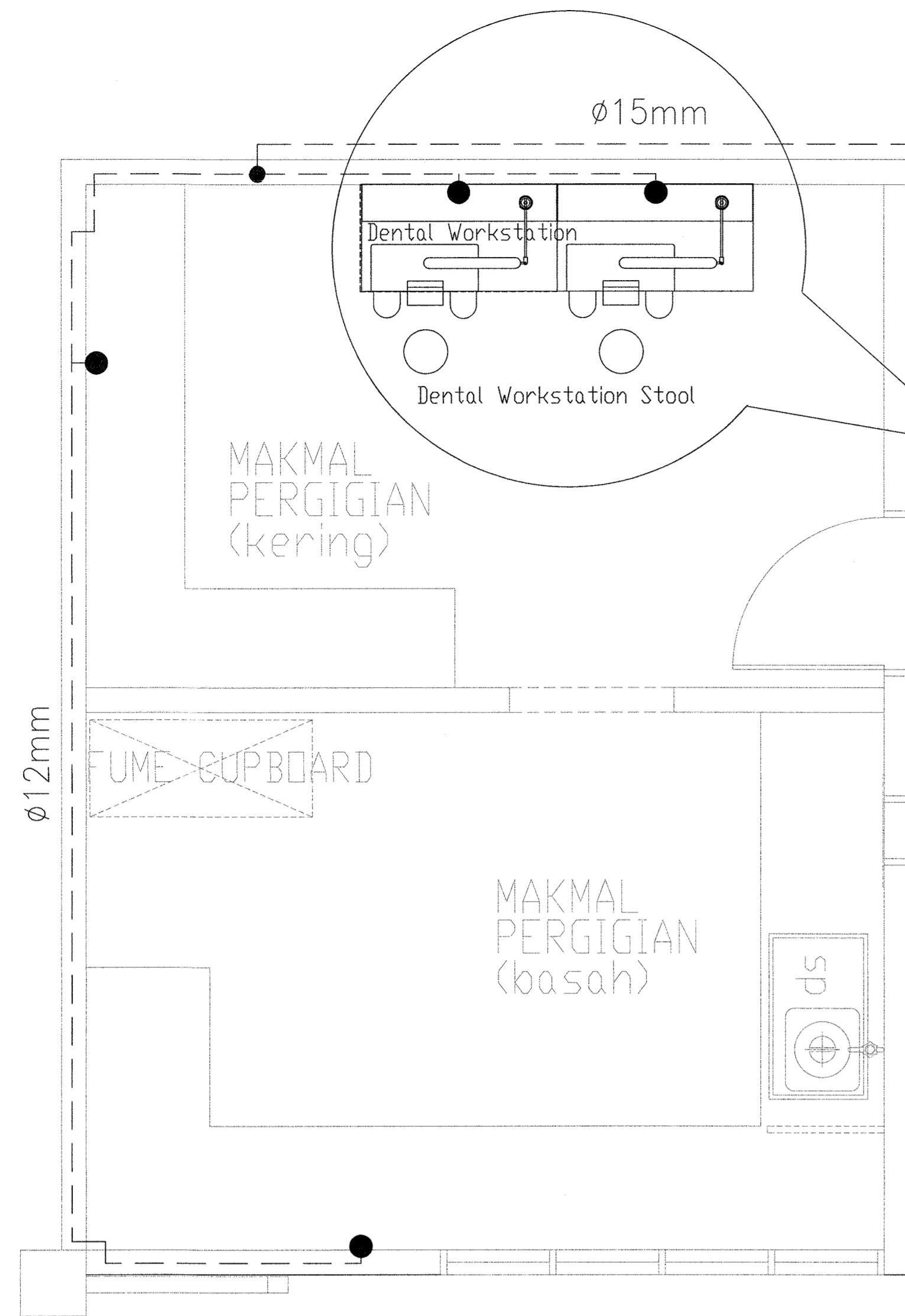
**PIAWAI
KLINIK KESIHATAN JENIS 3
KK3 CLARUS**

**SISTEM KELENGKAPAN
UNIT PERGIGIAN**

**LUKISAN SKEMATIK
DAN PERINCIAN**

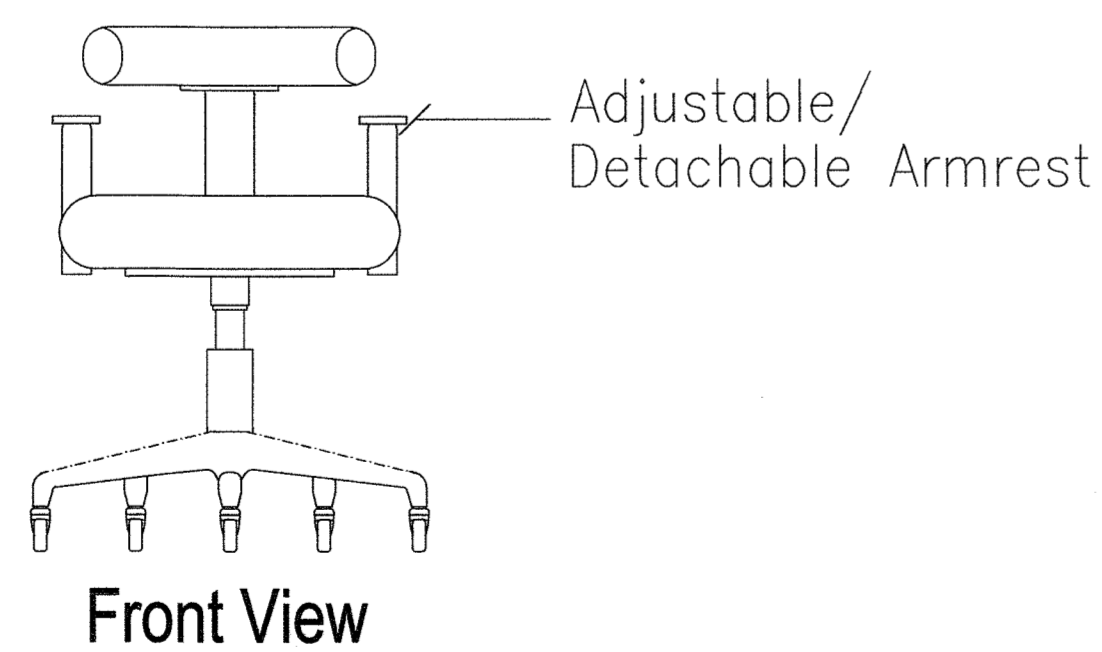
DISEMAK :
Ir. HISHAM BIN MOKHTAR
DIREKABENTUK :
Ir. MOHD SAIFUL HAKIMI BIN MAT LWI
SKALA :
1 : 100
TARIKH :
MEI 2020
TILIK :
ABDUL MUNIR
FAKSI KOMPUTER :
JKR (CKM) 010-11207
BIL. LUKISAN :
JKR / CKM / PAP / BM / kk3F / KP / 2020-1 / 3-6

LUKISAN TENDER



PELAN LANTAI MAKMAL PERGIGIAN (BASAH)

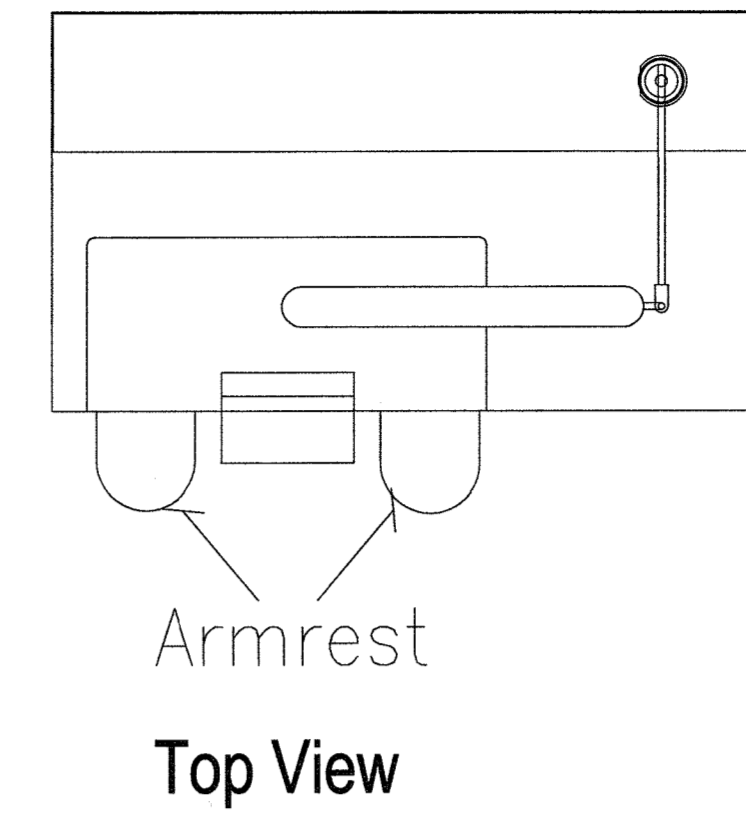
N.T.S



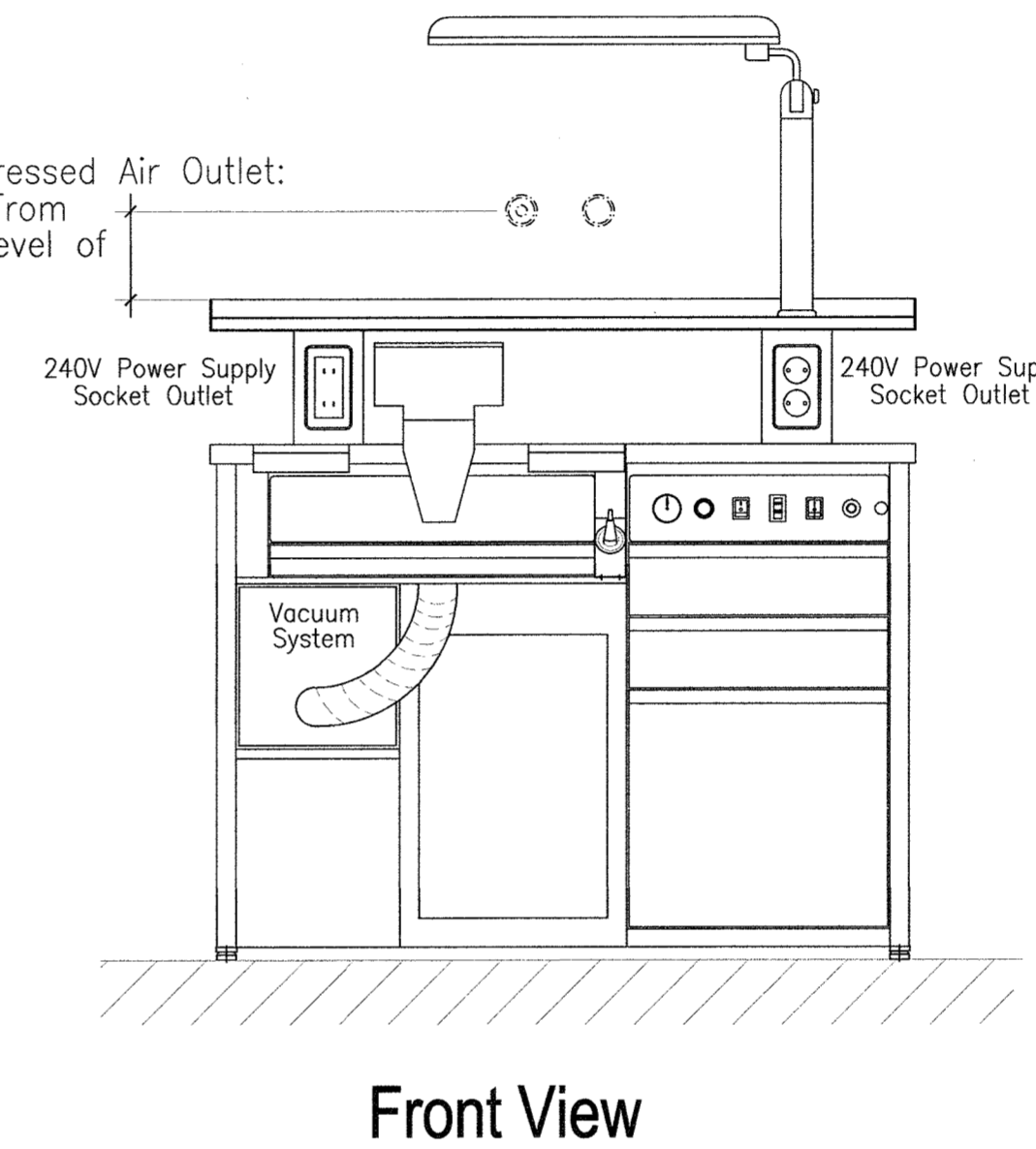
TYPICAL DENTAL WORKSTATION STOOL
N.T.S

Compressed Air Pipe Rises To Run At High Level

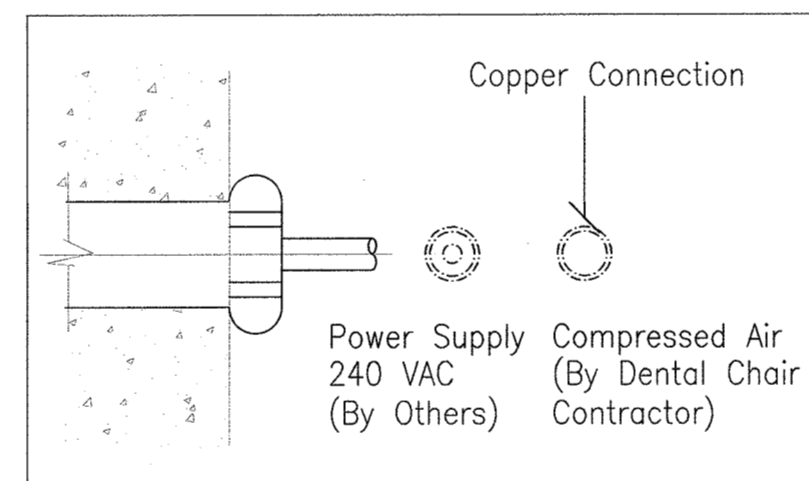
Dental Workstation



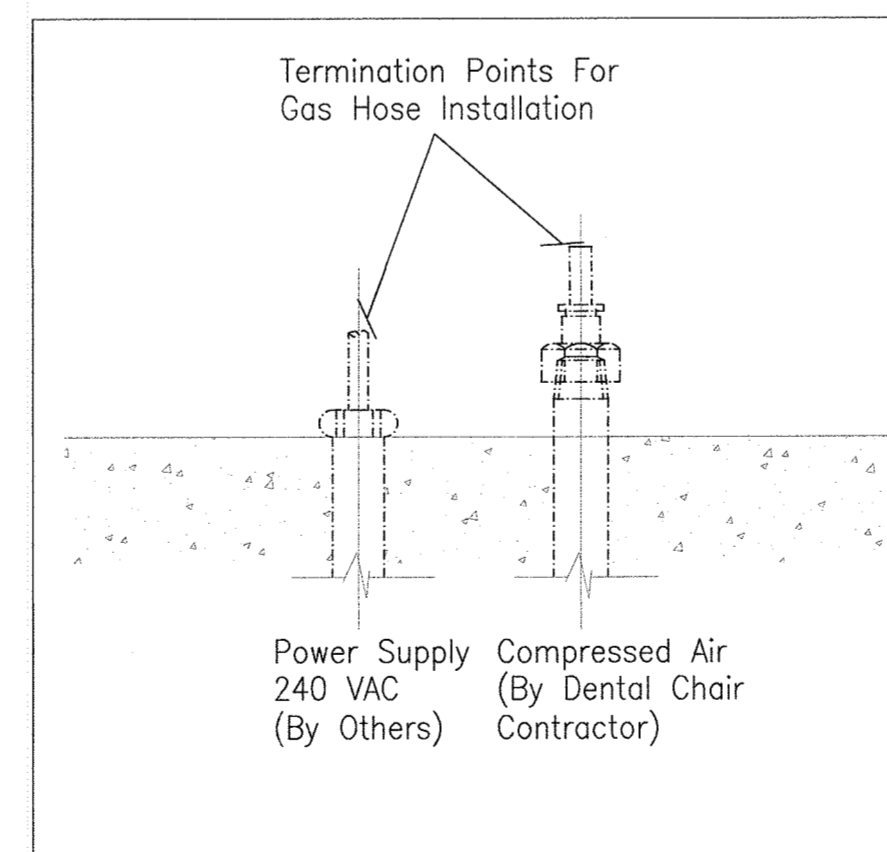
Location of Compressed Air Outlet:
100mm-150mm From Highest Working Level of Dental Workstation



Front View

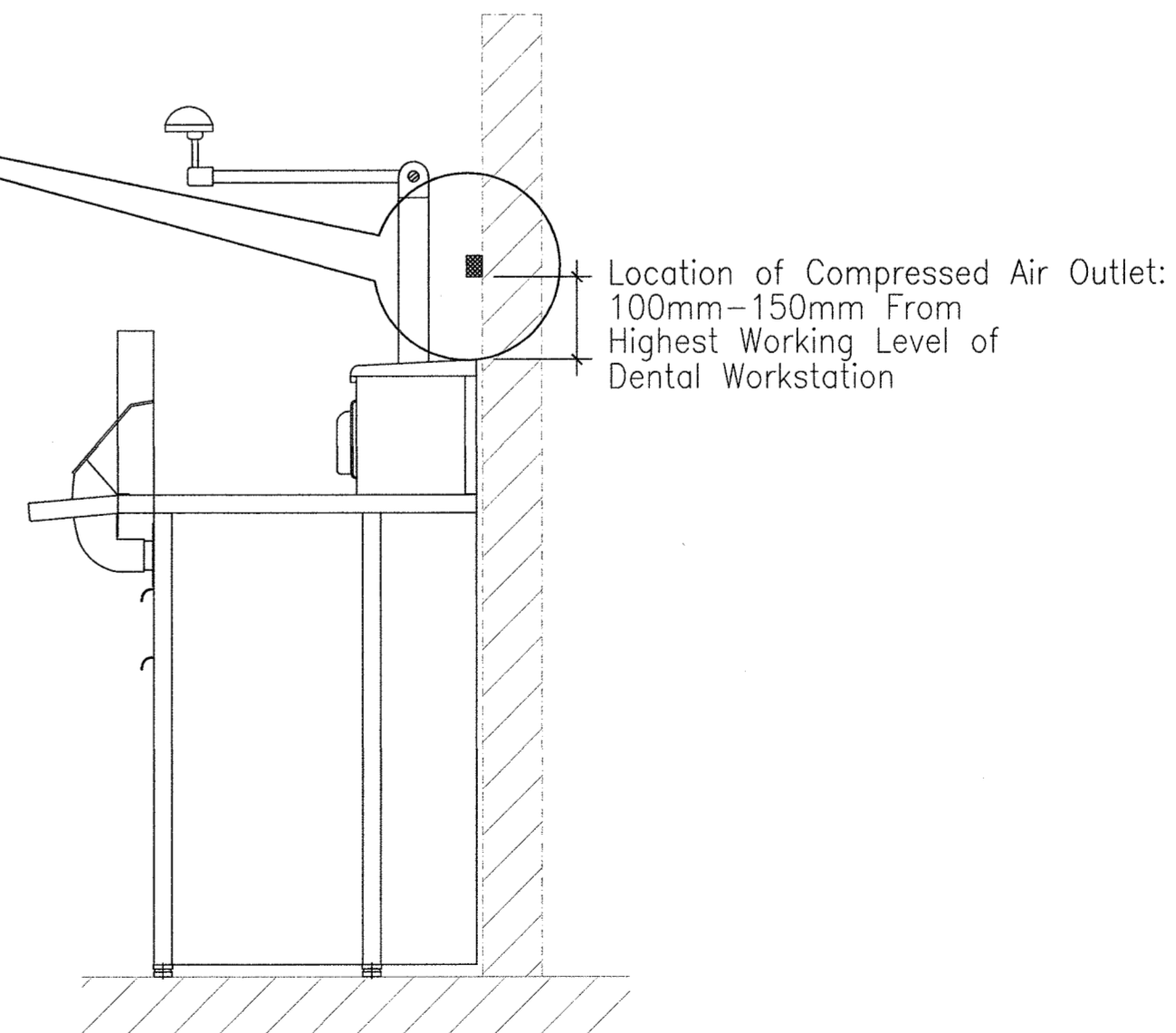


Side View



Top View

Compress Air Connection & 240VAC Power Supply



Side View

TYPICAL DENTAL WORKSTATION
N.T.S

NOTA PENENTUAN

THIS IS TENDER DRAWING AND SHALL NOT BE TAKEN AS WORKING DRAWING

TECHNICAL REQUIREMENT
(UNDER FLOOR SERVICES UP TO JUNCTION BOX)

1. WATER SUPPLY FROM STORAGE TANK VIA BOOSTER PUMP AT SERVICE FLOOR TO DENTAL CHAIR UNITS
50mm ϕ Stainless Steel pipe, pressure 2.5-6 bar (By main contractor)
2. COMPRESSED AIR
12mm ϕ Hard Drawn Copper pipe, (BS EN 13348 : 2001), 50 litre/min. @ 5.5 Bar at each outlets. (By dental chair contractor)
3. SUCTION
28mm ϕ Hard Draw Copper pipe, (BS EN 13348 : 2001), 300 litre/min. @ 600mmHg. (By dental chair contractor)
4. WATER DRAIN
80mm ϕ , preferably through slab. (By main contractor)
5. ELECTRICAL SUPPLY
240 volts, 50 Hz, 13 amps with isolating switch on wall (By electrical contractor)
6. The location of the specialist dental unit/s shall be advised later. (where applicable)
7. The centre point of installation of dental chair units shall be coordinated with architectural drawing



KERAJAAN MALAYSIA



JASA KEPADA RAKYAT

PEJABAT PENGARAH KANAN
IBU PEJABAT JKR MALAYSIA
CAWANGAN KEJURUTERAAN MEKANIKAL
TINGKAT 24-28, BLOK G,
NO.6, JALAN SULTAN SALAHUDDIN,
50480 KUALA LUMPUR.

CAWANGAN KEJURUTERAAN MEKANIKAL

DISAHKAN

PENGARAH REKABENTUK CAWANGAN KEJURUTERAAN MEKANIKAL
Ir. MAMAT ROHIZAN BIN ABDULLAH
P.Eng. M.I.E.M.
JURUTERA MEKANIKAL PENGUASA KANAN
Ir. AHMAD APANDI BIN LAKIN
P.Eng. M.I.E.M.
JURUTERA MEKANIKAL PENGUASA
Ir. HISHAM BIN MOKHTAR
P.Eng. A.C.P.E.

PROJEK:
**PIAWAI
KLINIK KESIHATAN JENIS 3
KK3 CLARUS**

PERKARA:
**SISTEM KELENGKAPAN
UNIT PERGIGIAN**

LUKISAN PERINCIAN
'DENTAL WORKSTATION'

DISEMAK:
Ir. HISHAM BIN MOKHTAR
DIREKABENTUK:
Ir. MOHD SAIFUL HAKIMI BIN MAT LWI
SKALA: 1:100
TARIKH: MEI 2020
DILURUS: ABUL MUNIR
FAJIL KOMPUTER:
JKR (CKM) 010-1/207
BIL. LUKISAN:
JKR / CKM / PAP / BM / Kk3F / KP / 2020-1 / 4-6

LIST OF EQUIPMENTS

ITEM	LIST EQUIPMENT	QUANTITY
1.	DENTAL CHAIR SPECIALIST UNIT/S	REFER SECTION 7 – SCHEDULE OF EQUIPMENT
2.	DENTAL CHAIR OFFICER UNIT/S	REFER SECTION 7 – SCHEDULE OF EQUIPMENT
3.	DENTAL COMPRESSED AIR SYSTEM	1 LOT
4.	DENTAL SUCTION AIR SYSTEM	1 LOT
5.	DENTAL WORKSTATION	2 NOS.
6.	DENTAL WORKSTATION STOOL	2 NOS

DENTAL TECHNICIAN WORKING UNIT

ITEM	LIST EQUIPMENT
1.	MATERIAL OF WORK TOP SURFACE : ABRASION,CHEMICAL, FIRE&HEAT RESISTANCE AND CORROSION FREE.
2.	VERTICALLY ADJUSTABLE FLUORESCENT LIGHT (RATING:LUX)
3.	POSTURE GUIDE WITH ARM REST
4.	WASTE COLLECTOR DRAWER
5.	WORK TRAY HOLDER
6.	SAFETY GLASS SHIELD
7.	DUST EXTRACTION SYSTEM
8.	MICROMOTOR A. SPEED 1,000–50,000 RPM B. FOOT OR KNEE CONTROLLER
9.	TO SUPPLY THREE(3) UNITS : A. ONE(1) UNIT INDUCTION BURNER/HEATER B. ONE(1) UNIT WAX POT C. ONE(1) GAS TORCH
10.	TO SUPPLY ATTACHED MAGNIFYING GLASS WITH LIGHT
11.	TO SUPPLY COMPRESSED AIR REGULATOR (ATTACHED/BUILT-N)
12.	LABORATORY CHAIR

LIST OF EQUIPMENTS FOR EACH DENTAL SPECIALIST UNIT

ITEM	DENTAL SPECIALIST'S UNIT
1.	HIGH TORQUE TURBINE – c/w four (4) handpieces consist of two (2) high torque handpieces and two (2) high torque miniature head turbine handpieces.
2.	MICROMOTOR – The micromotor shall be supplied with the following handpieces: a). One (1) contra-angle handpieces 1:1 with light system b). One (1) contra-angle handpiece speed reducing 10:1 with light system c). One (1) contra-angle prophylaxis handpiece d). One (1) straight handpiece 1:1 b). Two (2) surgical straight handpiece 1:1
3.	LIGHT CURE UNIT – c/w optical filter.
4.	ULTRASONIC SCALER – It shall be supplied with six (6) detachable working tips for scaling of: a). Buccal / lingual and proximal (2 tips). b). Subgingival (4 tips). With additional handpiece c/w adjustable water spray
5.	MULTIPLE FUNCTION SYRINGE – c/w air, water and spray nozzle.
6.	INTRA ORAL CAMERA – Minimum 6 white LED for light source.
7.	CONTROL SWITCHES
8.	MULTIPLE FUNCTION SYRINGE – c/w air, water and spray nozzle.
9.	SALIVA EJECTOR
10.	HIGH VACUUM SUCTION – c/w additional tips narrow and wide nozzle

LIST OF EQUIPMENTS FOR EACH DENTAL OFFICER UNIT

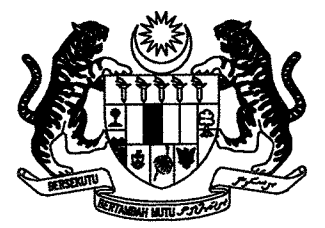
ITEM	DENTAL OFFICER'S UNIT
1.	HIGH TORQUE TURBINE – c/w four (4) handpieces consist of two (2) high torque handpieces and two (2) high torque miniature head turbine handpieces.
2.	MICROMOTOR – The micromotor shall be supplied with the following handpieces: a). One (1) contra-angle handpieces 1:1 with light system b). One (1) contra-angle handpiece speed reducing 10:1 with light system c). One (1) straight handpieces 1:1
3.	LIGHT CURE UNIT – c/w optical filter.
4.	ULTRASONIC SCALER – It shall be supplied with six (6) detachable working tips for scaling of: a). Buccal / lingual and proximal (2 tips). b). Subgingival (4 tips). With additional handpiece c/w adjustable water spray
5.	MULTIPLE FUNCTION SYRINGE – c/w air, water and spray nozzle.
6.	CONTROL SWITCHES
7.	MULTIPLE FUNCTION SYRINGE – c/w air, water and spray nozzle.
8.	SALIVA EJECTOR
9.	HIGH VACUUM SUCTION – c/w additional tips narrow and wide nozzle

NOTA PENENTUAN

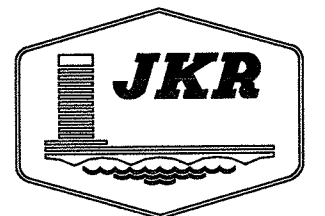
THIS IS TENDER DRAWING AND SHALL NOT BE TAKEN AS WORKING DRAWING

TECHNICAL REQUIREMENT
(UNDER FLOOR SERVICES UP TO JUNCTION BOX)

1. WATER SUPPLY FROM STORAGE TANK VIA BOOSTER PUMP AT SERVICE FLOOR TO DENTAL CHAIR UNITS 50mm ϕ Stainless Steel pipe, pressure 2.5–6 bar (By main contractor)
2. COMPRESSED AIR
12mm ϕ Hard Drawn Copper pipe, (BS EN 13348 : 2001), 50 litre/min. @ 5.5 Bar at each outlets. (By dental chair contractor)
3. SUCTION
28mm ϕ Hard Draw Copper pipe, (BS EN 13348 : 2001), 300 litre/min. @ 600mmHg. (By dental chair contractor)
4. WATER DRAIN
80mm ϕ , preferably through slab. (By main contractor)
5. ELECTRICAL SUPPLY
240 volts, 50 Hz, 13 amps with isolating switch on wall (By electrical contractor)
6. The location of the specialist dental unit/s shall be advised later. (where applicable)
7. The centre point of installation of dental chair units shall be coordinated with architectural drawing



KERAJAAN MALAYSIA



JASA KEPADA RAKYAT

PEJABAT PENGARAH KANAN
IBU PEJABAT JKR MALAYSIA
CAWANGAN KEJURUTERAAN MEKANIKAL
TINGKAT 24-25, BLOK G,
NO.6, JALAN SULTAN SALAHUDDIN,
50480 KUALA LUMPUR.

CAWANGAN KEJURUTERAAN MEKANIKAL

DISAHKAN

PENGARAH REKABENTUK CAWANGAN KEJURUTERAAN MEKANIKAL
Ir. MAMAT ROHIZAN BIN ABDULLAH
P.Eng. M.I.E.M. A.C.P.E.
JURUTERA MEKANIKAL PENGUSAHA KANAN
Ir. AHMAD APANDI BIN LAKIN
P.Eng. M.I.E.M.

JURUTERA MEKANIKAL PENGUSAHA
Ir. HISHAM BIN MOKHTAR
P.Eng. A.C.P.E.

PROJEK:

PIAWAI
KLINIK KESIHATAN JENIS 3
KK3 CLARUS

PERKARA:

SISTEM KELENGKAPAN
UNIT PERGIAGIAN

LIST OF EQUIPMENT

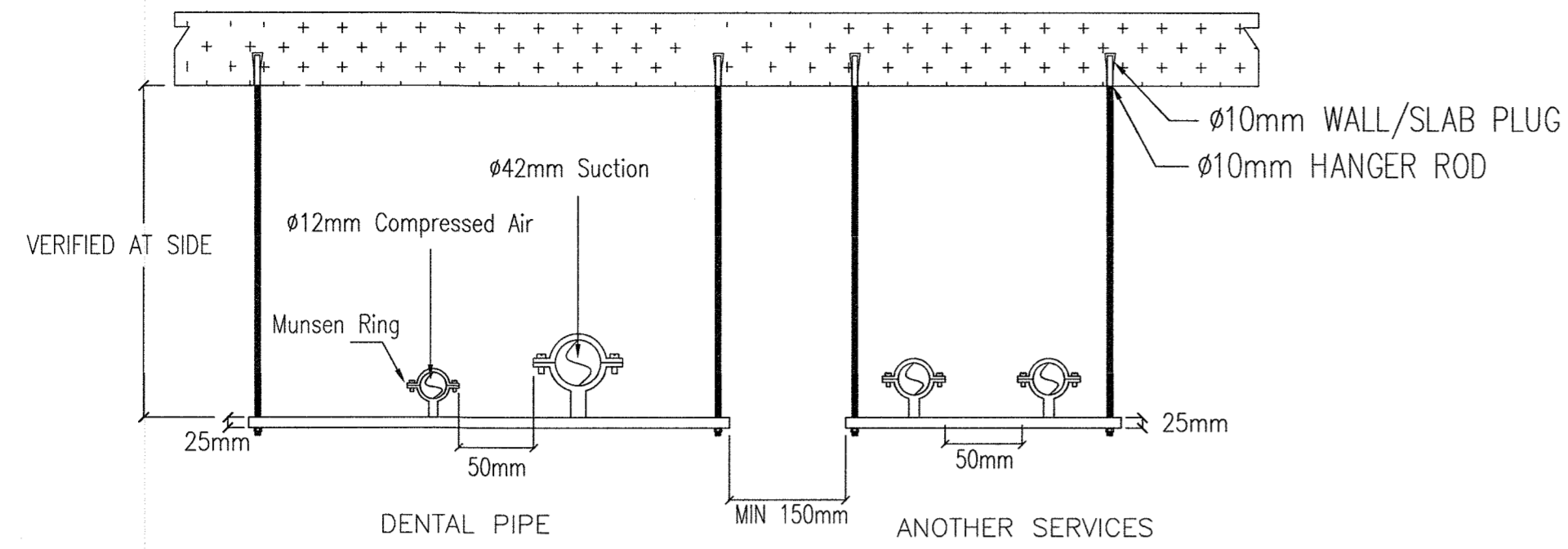
DISEMBAK:
Ir. HISHAM BIN MOKHTAR

DIREKABENTUK:
Ir. MOHD SAIFUL HAKIMI BIN MAT LWI

SKALA: 1 : 100
TARIKH: MEI 2020

DILUKIS: ABDUL MUNIR
FAIL KOMPUTER: JKR (CKM) 010-1/207

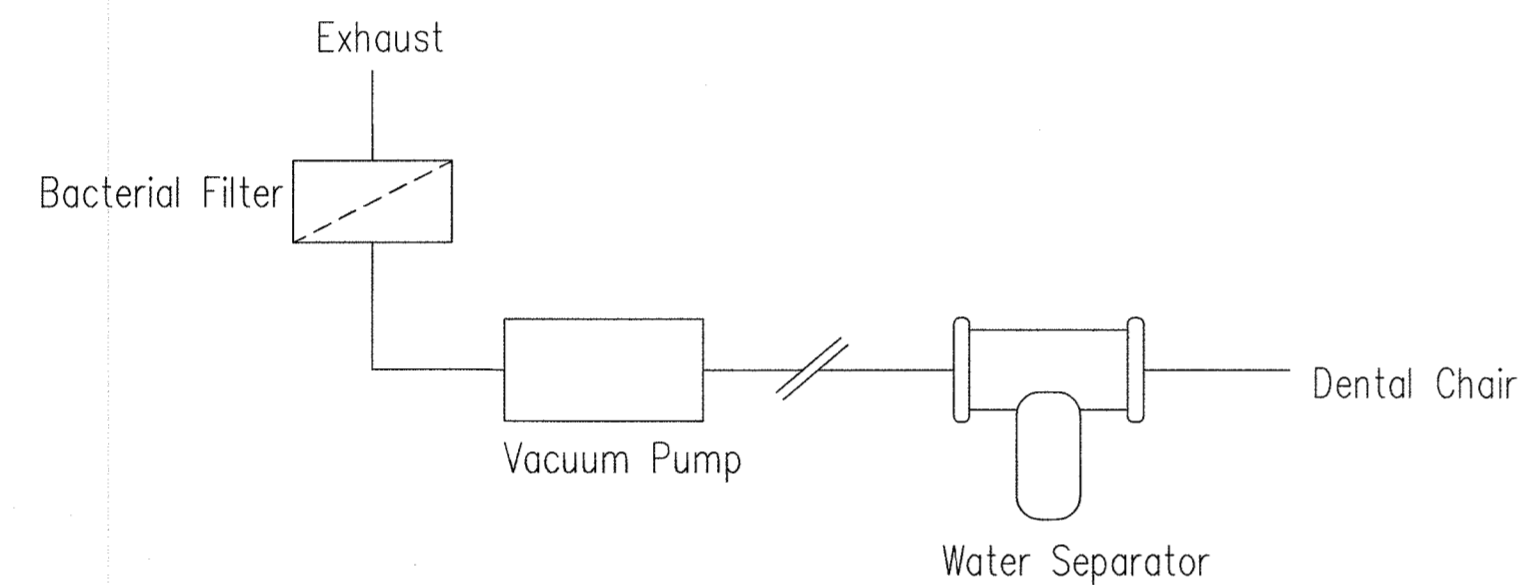
BILLUKISAN:
JKR / CKM / PAP / BM / kk3F / KP / 2020-1 / 5-6



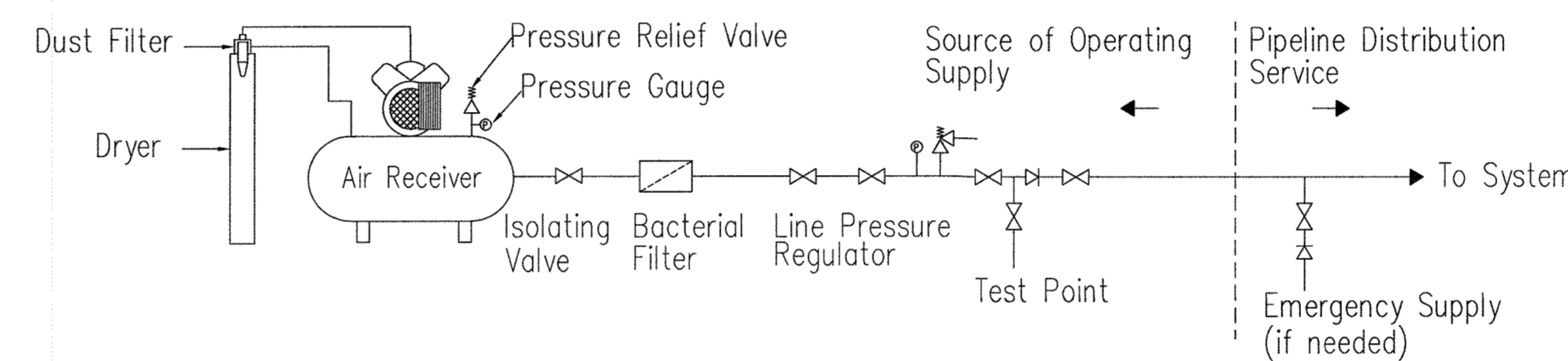
TYPICAL PIPE SUPPORT

OUTSIDE DIAMETER (MM)	MAXIMUM INTERVAL BETWEEN SUPPORTS (M)
Up to 15	1.5
22-28	2.0
35-54	2.5
>54	3.0

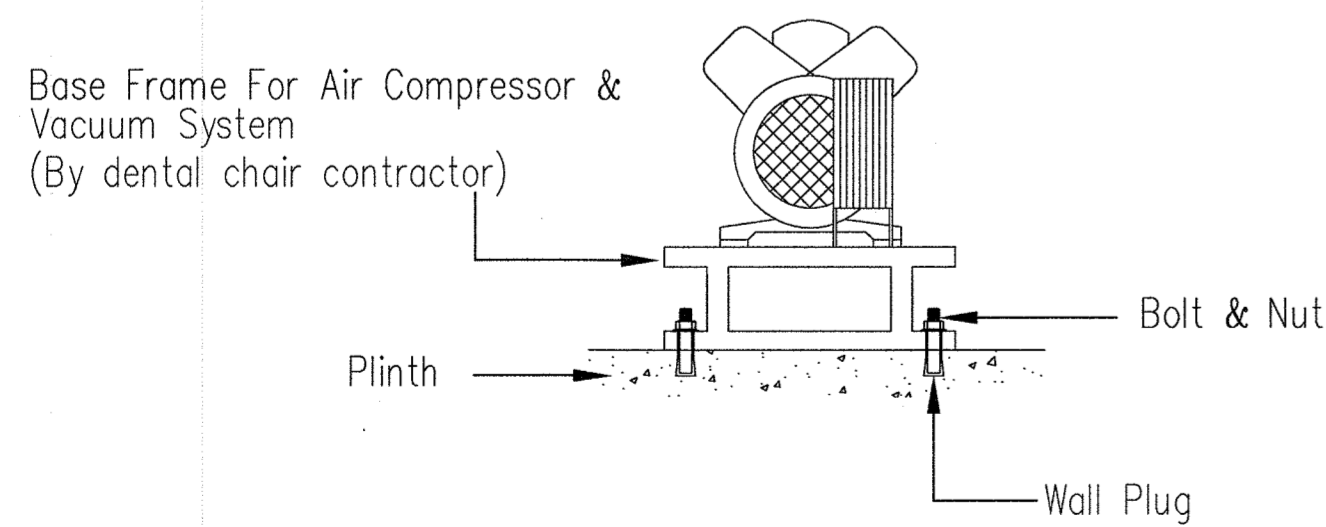
INTERVALS BETWEEN COPPER PIPE SUPPORT
(Horizontal and Vertical)



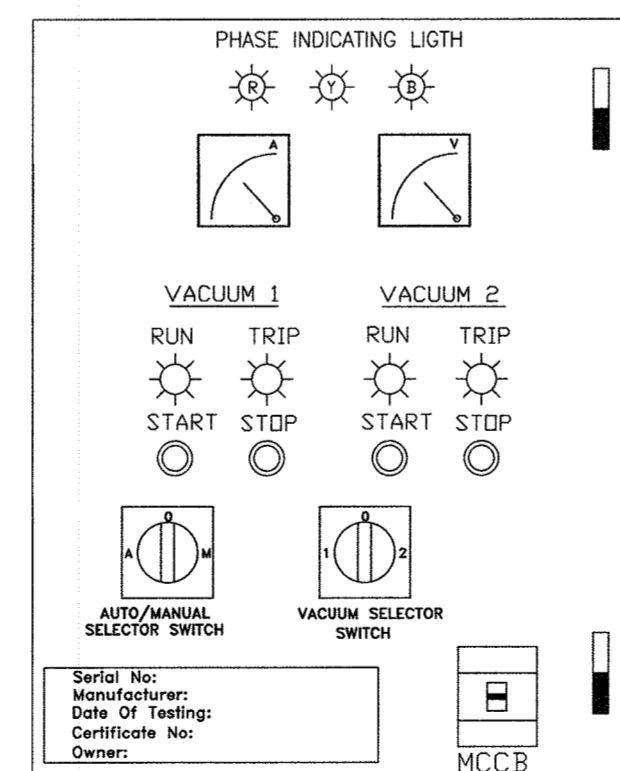
TYPICAL VACUUM PIPELINE SYSTEM



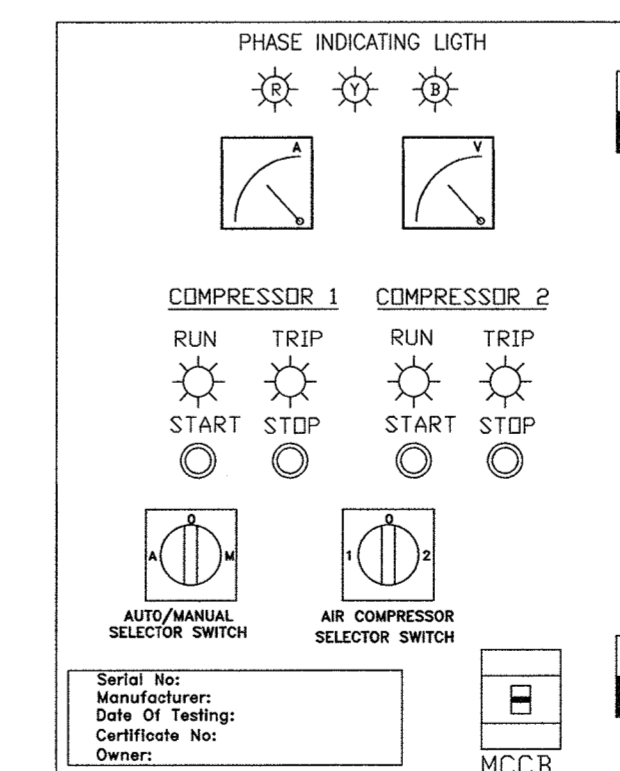
TYPICAL AIR PIPELINE SYSTEM



TYPICAL BASE FRAME FOR DENTAL AIR COMPRESSOR & DENTAL SUCTION AIR SYSTEM
(BY DENTAL CHAIR CONTRACTOR)



TYPICAL DENTAL VACUUM CONTROL PANEL



TYPICAL DENTAL AIR COMPRESSOR CONTROL PANEL

NOTA PENENTUAN

THIS IS TENDER DRAWING AND SHALL NOT BE TAKEN AS WORKING DRAWING

TECHNICAL REQUIREMENT
(UNDER FLOOR SERVICES UP TO JUNCTION BOX)

1. WATER SUPPLY FROM STORAGE TANK VIA BOOSTER PUMP AT SERVICE FLOOR TO DENTAL CHAIR UNITS
50mm ϕ Stainless Steel pipe, pressure 2.5-6 bar
(By main contractor)
2. COMPRESSED AIR
12mm ϕ Hard Drawn Copper pipe,
(BS EN 13348 : 2001), 50 litre/min. @ 5.5 Bar
at each outlets. (By dental chair contractor)
3. SUCTION
28mm ϕ Hard Draw Copper pipe,
(BS EN 13348 : 2001), 300 litre/min. @ 600mmHg.
(By dental chair contractor)
4. WATER DRAIN
80mm ϕ , preferably through slab.
(By main contractor)
5. ELECTRICAL SUPPLY
240 volts, 50 Hz, 13 amps with isolating
switch on wall (By electrical contractor)
6. The location of the specialist dental unit/s
shall be advised later. (where applicable)
7. The centre point of installation of dental chair
units shall be coordinated with architectural drawing



KERAJAAN MALAYSIA



JASA KEPADA RAKYAT

PEJABAT PENGARAH KANAN
IBU PEJABAT JKR MALAYSIA
CAWANGAN KEJURUTERAAN MEKANIKAL
TINGKAT 24-28, BLOK G,
NO. 8, JALAN SULTAN SALAHUDDIN,
50480 KUALA LUMPUR.

CAWANGAN KEJURUTERAAN MEKANIKAL

DISAHKAN

PENGARAH REKABENTUK CAWANGAN KEJURUTERAAN MEKANIKAL
Ir. MAMAT ROHIZAN BIN ABDULLAH
P.Eng. M.I.E.M.
JURUTERA MEKANIKAL PENGUASA KAWAN
Ir. AHMAD APANDI BIN LAKIN
P.Eng. M.I.E.M.
JURUTERA MEKANIKAL PENGUASA
Ir. HISHAM BIN MOKHTAR
P.Eng. A.C.P.E.

PROJEK:

PIAWAI
KLINIK KESIHATAN JENIS 3
KK3 CLARUS

PERKARA:

SISTEM KELENGKAPAN
UNIT PERGIGIAN

LUKISAN PERINCIAN
PEMASANGAN

DISEMAK:
Ir. HISHAM BIN MOKHTAR
DIREKABENTUK:
Ir. MOHD SAIFUL HAKIMI BIN MAT LWI
SKALA: 1:100
TARIKHE: MEI 2020
DILUKIS:
ABDUL MUNIR
FAIL KOMPUTER:
JKR (CKM) 010-1207
BIL. LUKISAN:
JKR / CKM / PAP / BM / kk3F / KP / 2020-1 / 6-6